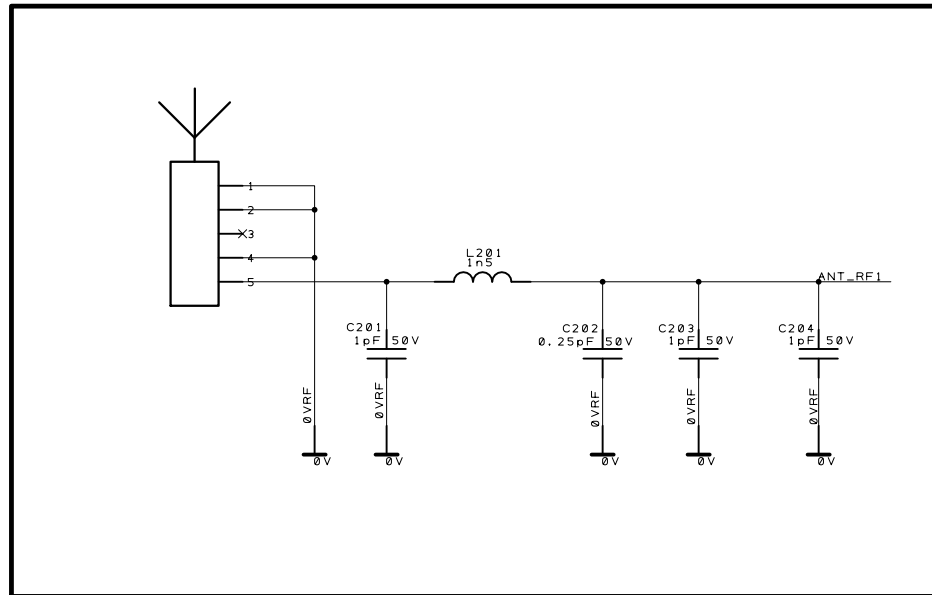
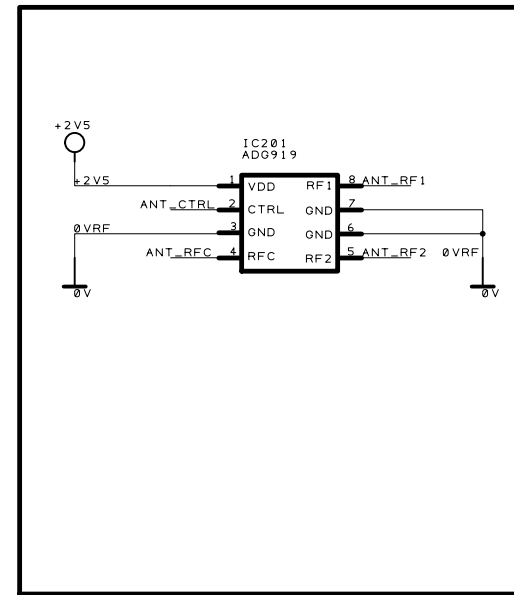


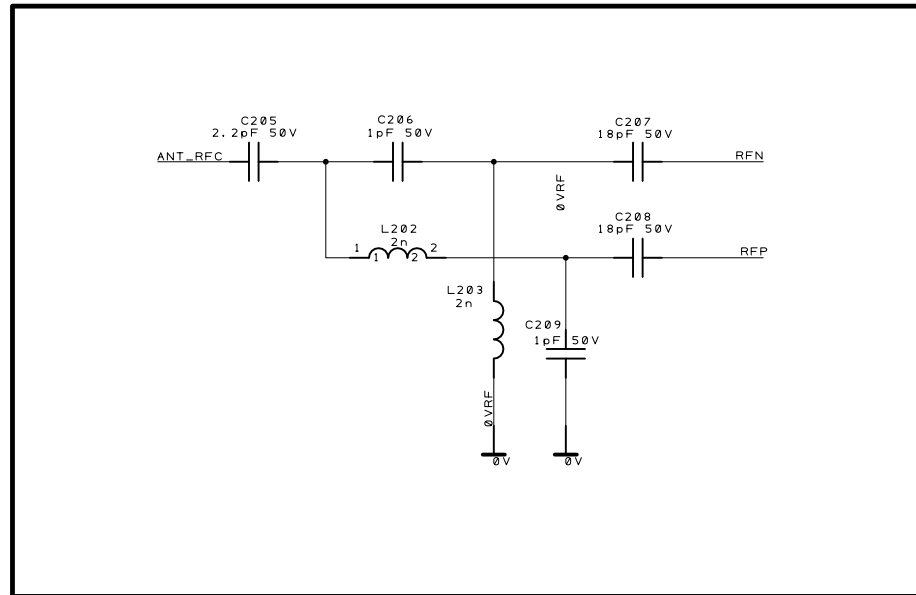
Antenna 1



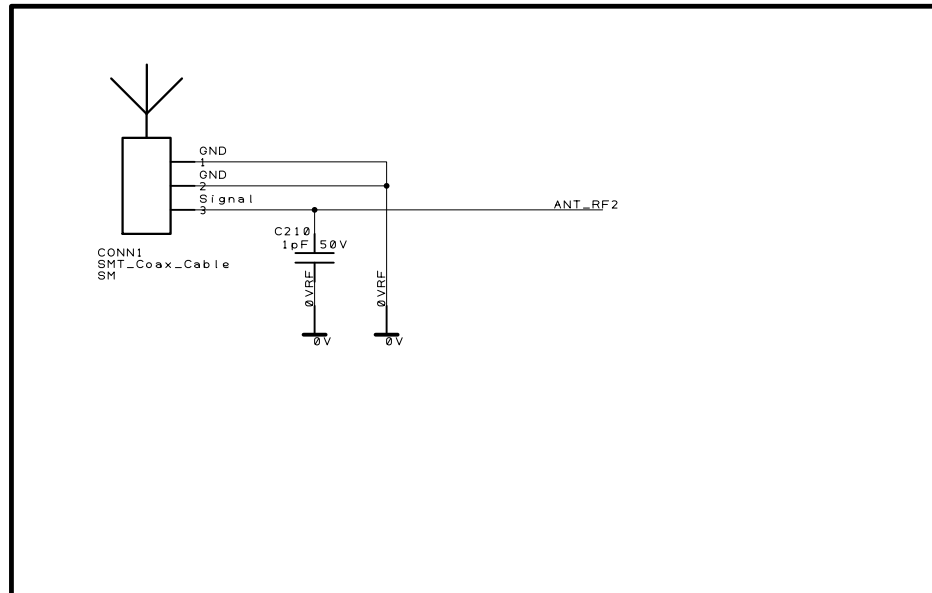
Antenna Switch



Balund equivalenten with decoupling capacitors



Antenna 2



PROJECT: vRF_Development_Board	
DRAWING TITLE:	
DRAWN BY: VR	REVISION: 1.0.0
SHEET: 3 OF 3	STATUS: DRAFT
DATE: 29/08/2013	VISIT VRTRONICS.COM FOR MORE INFORMATIONS AND PROJECTS